

# Technical Information

No. 5615

Edition: 01/08- subject to change

Substitutes: new

Status: valid



# Xenon Short Arc Lamp

# XBO<sup>®</sup> 1600 W/HSC XL OFR

## ■ Product description

The OSRAM XBO<sup>®</sup> 1600W/HSC XL OFR is a DC-operated lamp, developed with the latest high brightness technology for XBO lamps. The XL lamps, which stands for Xtreme life, are strictly optimized on performance and have an increased warranty by up to 50%.

## ■ Technical data

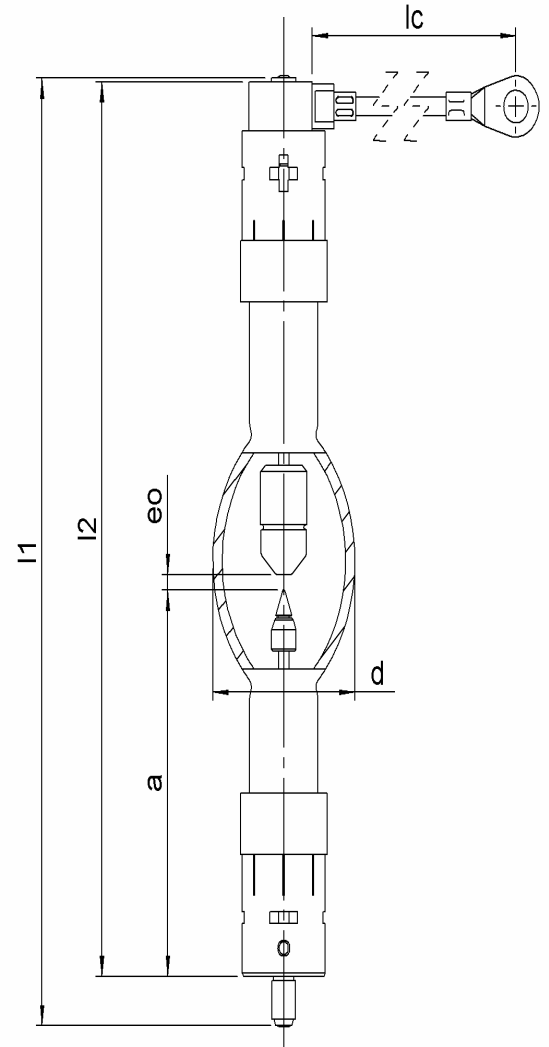
Order reference	XBO <sup>®</sup> 1600 W/HSC XL OFR	
Rated lamp wattage	W	1550
Rated lamp voltage	V	23
Rated lamp current (=)	A	65
Current control range	A	50 - 70
Ignition voltage	kV <sub>P</sub>	35
Min. open circuit voltage for cold / hot ignition	V	65 / 75
Luminous flux	lm	70000
Luminous intensity	cd	5500
Average luminance	cd/cm <sup>2</sup>	70000
Luminous area w x h *)	mm	1.0 x 3.2
Electrode gap e (cold)	mm	3.8
Lamp length (overall) l <sub>1</sub>	mm	max. 236
Lamp length l <sub>2</sub>	mm	max. 222
LCL a	mm	95
Bulb diameter d	mm	46

**Warranty h 2500**

Base Cathode SFcX 27-8

Cable length l<sub>c</sub>= 265mm Anode SK 27/50

\*) w = luminance half width value; h = height of luminous area (corresponds to electrode gap, hot)



## ■ Lamp operation

Maximum permissible base temperature	230 °C
Cooling	forced cooling / fan necessary
Min. air flow velocity around discharge vessel	6 m/s
Burning position	s 20 (vertical ± 20°, anode up) ; p 20 (horizontal ± 20°)